

L-25A

Code **124**



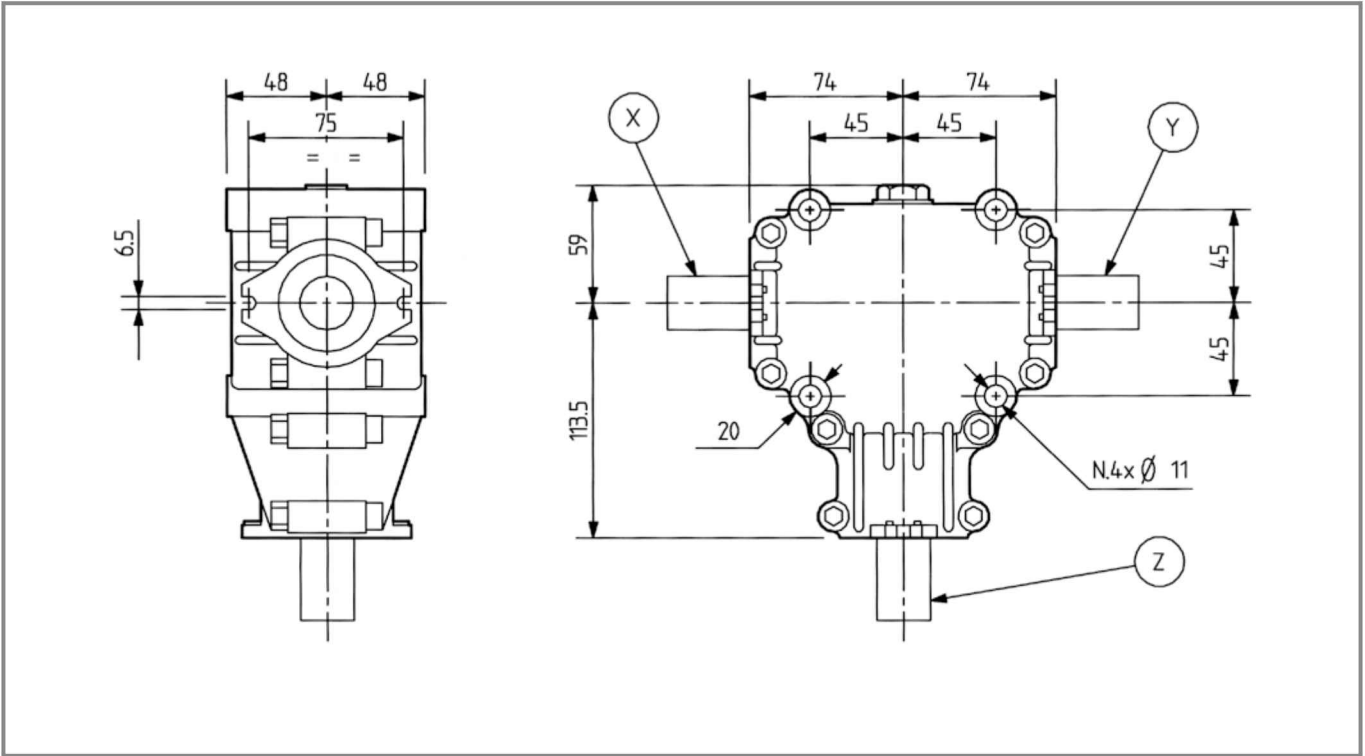
0.00



3.02
Vers. L25-B



[kg]	4.1	[l]	0.4
------	-----	-----	-----



	i				std spec	Input					
	rpm	kW	HP	Nm	lb.in.						
M	1.00	540	11.0	15.0	189	1751	std Z	1-2 / 3-4 / 5-6			
	1.35	540	9.9	13.5	126	1167	std X-Y	21-22 / 23-24 / 31-32			
	1.50		9.9	13.5	113	1049	spec	31-32			
	1.90		11.0	15.0	99	921	std	X-Y-Z	21-22 / 23-24 / 31-32 / 33-34		
	2.78		5.2	7.0	31	294		X-Y	21-22 / 23-24		
	2.91		5.0	6.8	-	-	spec		21-22		
	3.00		5.0	6.8	29	265		X			
R	1.35	540	8.1	11	187	1733	std	Z	1-2 / 3-4 / 5-6		
	1.90		7.0	9.5	227	2107					
	2.78		2.9	4.0	140	1298					
	3.30		2.2	3.0	124	1155					

Nota: disponibile versione con ruota libera
NOTE: Available version with free wheel